

Ref: 58003

Vinoteca Encastre

ES



## Medidas y peso

- **Medida ancho:** 595 mm.
- **Medida alto:** 595 mm.
- **Medida profundidad sin tirador:** 555 mm.
- **Medida profundidad sin tirador:** - mm.
- **Medida mueble ancho:** 556 mm.
- **Medida mueble alto:** 589 mm.
- **Medida mueble profundidad:** 545 mm.
- **Peso neto:** 42 Kg.

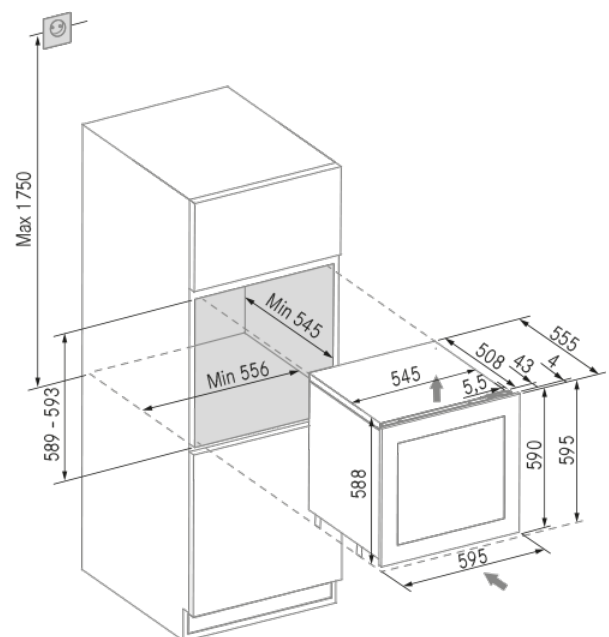
## Descripción

- **Acabado:** Negro - Sapele
- **Acabado Interior:** Negro/Metal
- **Capacidad de botellas (75 cl.- 300mm.):** 26
- **Temperatura Regulable:** 5 - 20°
- **Zonas de temperatura independientes:** 2
- **Capacidad botellas Zona 1/2:** 14/12
- **Bandejas:** 3 Deslizantes + 1 Fija
- **Humedad interior:** 50% - 80%
- **Iluminación:** LED 3000 K con 3 intensidades
- **Potencia iluminación (W):** 0,05 W x 12
- **Cristal:** Triple cristal templado anti UV
- **Tirador:** No
- **Push Open:** Si
- **Puerta Soft Close:** Si
- **Puerta reversible:** Si.
- **Tipo de Bisagra:** Articulada
- **Ángulo de apertura:** 90° - 115°
- **Ventilación:** En Puerta
- **Filtro de carbón activo:** Si
- **Zócalo empotrado regulable:** -
- **Pies de altura regulable:** 10 mm.

## Pantalla y mandos

- **Color del Display:** Blanco
- **Interruptor de encendido:** Si
- **Interruptor de luz:** Si
- **Ajustes de temperatura:** Si
- **Visualización de temperatura °C/°F:** Si
- **Alarma de temperatura: (Visual y audible):** Si
- **Alarma de puerta abierta: (Audible):** Si

## Diseño técnico



# POMEROL 60


Ref: 58003

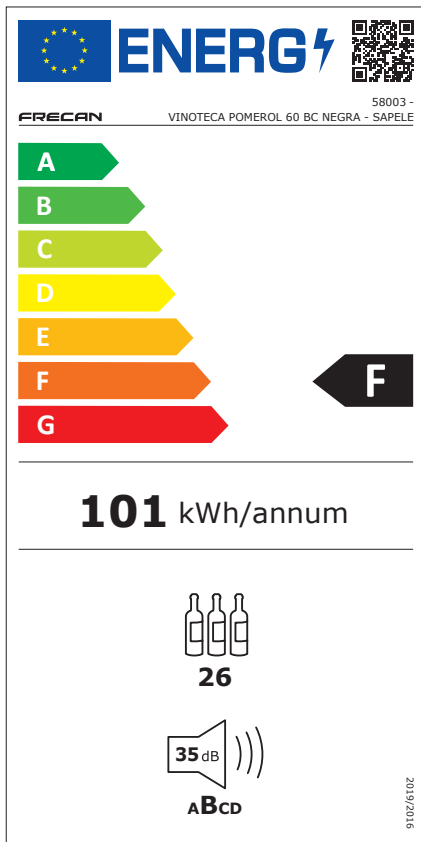
Vinoteca Encastre

FRECAN

ES

## Información técnica

- Clase de eficiencia energética: 
- Clase Climática: SN-ST
- Longitud del cable: 1,8
- Conexión eléctrica (Voltaje/Frecuencia): 220-240 V./50 Hz.
- Consumo medio Anual: 101 W.
- Presión Sonora: 24 dB(A)
- Potencia Sonora: 35 dB(A)
- Dimensiones caja: 0,66 x 0,69 x 0,66 mm.
- Volumen: 0,300564 m<sup>3</sup>.
- Peso del producto empaquetado: 46
- Código EAN: 8421210279956



The image shows a standard European energy label for a Frecan wine cooler. At the top left is the European Union flag and the word "ENERGY" with a lightning bolt icon. To the right is a QR code. Below this, the Frecan logo and the product name "VINOTECA POMEROL 60 BC NEGRA - SAPELE" are listed, along with the model number "58003". The main part of the label features a vertical scale of energy efficiency classes from A (green) to G (red). Class F is highlighted with a black arrow pointing to it from the right. Below the scale, the annual energy consumption is stated as "101 kWh/annum". Underneath, there are icons for capacity (three bottles) and noise level (a speaker icon). The capacity is "26" and the noise level is "35 dB" with "ABCD" below it. A small vertical date "2019/2016" is on the bottom right.

ENERGY

58003 -  
VINOTECA POMEROL 60 BC NEGRA - SAPELE

A  
B  
C  
D  
E  
F  
G

101 kWh/annum

26

35 dB  
ABCD

2019/2016

Ref: 58003

Caves à vin Encastré



## Mesures et poids

- Mesures largeur : 595 mm.
- Mesures hauteur : 595 mm.
- Mesures de profondeur sans poignée : 555 mm.
- Mesures de profondeur avec poignée : - mm.
- Mesures meuble largeur: 556 mm.
- Mesures meuble hauteur: 589 mm.
- Mesures meuble profondeur: 545 mm.
- Poids net : 42 Kg.

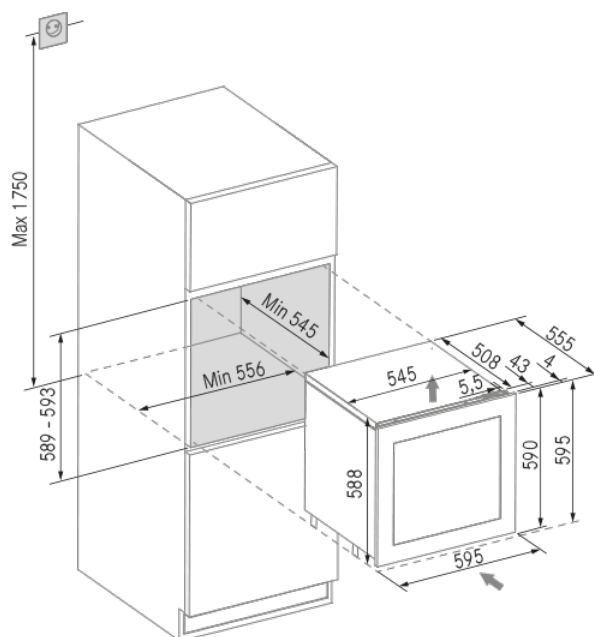
## Description

- Finition : Noir - Sapelli
- Finition intérieure : Noir/Metal
- Capacité de bouteilles (75 cl - 300 mm) : 26
- Température réglable : 5 - 20°
- Zones de température indépendantes : 2
- Capacité de bouteilles Zone 1/2 : 14/12
- Étagères : 3 coulissants + 1 fixe
- Humidité intérieure : 50% - 80%
- Éclairage : LED 3000 K avec 3 intensités.
- Puissance d'éclairage (W) : 0,05 W x 12
- Verre : Triple vitrage trempé anti-UV
- Poignée : No
- Push Open : Oui
- Porte Soft Close : Oui
- Porte réversible : Oui
- Type de charnière : Articulée
- Angle d'ouverture : 90° - 115°
- Ventilation : À la porte
- Filtre à charbon actif : Oui
- Socle encastré réglable en hauteur : -
- Pieds réglables en hauteur : 10 mm.

## Écran et commandes

- Color del Display: Blanc
- Interrupteur marche/arrêt : Oui
- Interrupteur d'éclairage : Oui
- Réglages de température : Oui
- Affichage de la température °C/°F : Oui
- Alarme de température (visuelle et sonore) : <Oui
- Alarme de porte ouverte (sonore) : Oui

## Diseño técnico



# POMEROL 60


FRECAN

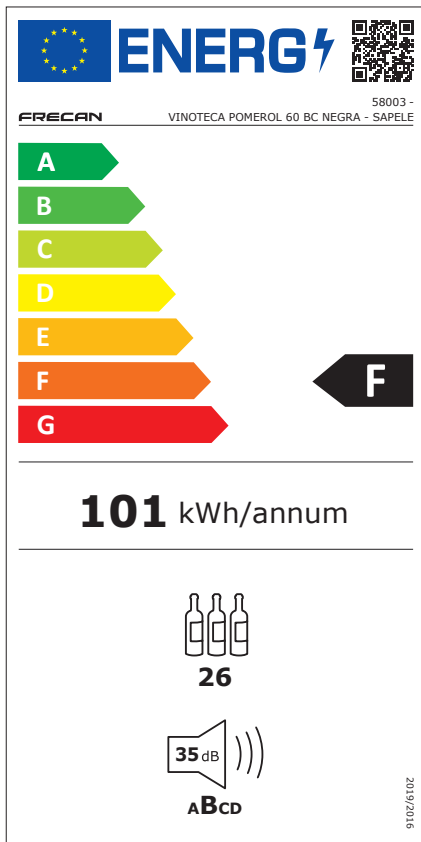
Ref: 58003

Caves à vin Encastré

FR

## Informations techniques

- Classe d'efficacité énergétique : 
- Classe climatique : SN-ST
- Longueur du câble : 1,8
- Connexion électrique (tension/fréquence) : 220-240 V. / 50 Hz.
- Consommation annuelle moyenne : 101 W.
- Pression sonore : 24 dB(A)
- Puissance sonore : 35 dB(A)
- Dimensions boîte : 0,66 x 0,69 x 0,66 mm.
- Volume : 0,300564 m<sup>3</sup>.
- Poids du produit emballé : 46
- Code EAN : 8421210279956



The image shows a standard European energy label for a wine cellar. At the top left is the EU flag and the word 'ENERGY' with a lightning bolt icon. To the right is a QR code. Below this, the brand 'FRECAN' and model 'VINOTECA POMEROL 60 BC NEGRA - SAPELE' are listed, along with the reference number '58003'. The energy efficiency scale is shown as a series of horizontal bars from A (green) to G (red), with a black arrow pointing to 'F'. The annual energy consumption is '101 kWh/annum'. Below this, an icon of three wine bottles is shown with the number '26'. A speaker icon indicates a sound power level of '35 dB' with a class 'A B C D' below it. The date '2019/2016' is printed vertically on the right side.

ENERGY

58003 -  
FRECAN VINOTECA POMEROL 60 BC NEGRA - SAPELE

A  
B  
C  
D  
E  
F  
G

101 kWh/annum

26

35 dB  
A B C D

2019/2016

# POMEROL 60

Ref: 58003

Wine Cooler Built-In

FRECAN

EN



## Measurements and weight

- **Measures width:** 595 mm.
- **Measures height :** 595 mm.
- **Measures depth with handle:** 555 mm.
- **Measures depth without handle :** - mm.
- **Measures Furniture width:** 556 mm.
- **Measures Furniture height:** 589 mm.
- **Measures Furniture depth:** 545 mm.
- **Net weight:** 42 Kg.

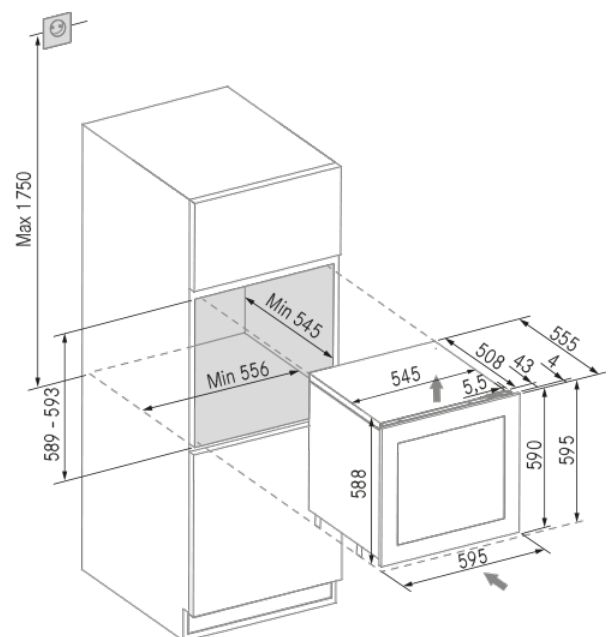
## Description

- **Finish:** Noir - Sapelli
- **Interior Finish:** Black/Metal
- **Bottle capacity (75 cl - 300 mm):** 26
- **Adjustable temperature:** 5 - 20°
- **Independent temperature zones:** 2
- **Bottle capacity Zone 1/2:** 14/12
- **Shelves:** 3 sliding + 1 fixed
- **Interior humidity:** 50% - 80%
- **Lighting:** LED 3000 K with 3 intensity levels.
- **Lighting power (W):** 0,05 W x 12
- **Glass:** Triple tempered glass UV-resistant
- **Handle:** No
- **Push Open:** Yes
- **Soft Close door:** Yes
- **Reversible door:** Yes
- **Hinge type:** Hinged
- **Opening angle:** 90° - 115°
- **Ventilation:** On the door
- **Active carbon filter:** Yes
- **Recessed base adjustable in height:** -
- **Height adjustable feet :** 10 mm.

## Display and controls

- **Display Color:** White
- **On/Off switch:** Yes
- **Light switch:** Yes
- **Temperature settings:** Yes
- **Temperature display °C/°F:** Yes
- **Temperature alarm (Visual and audible):** Yes
- **Door open alarm (Audible):** Yes

## Technical Design



# POMEROL 60


FRECAN

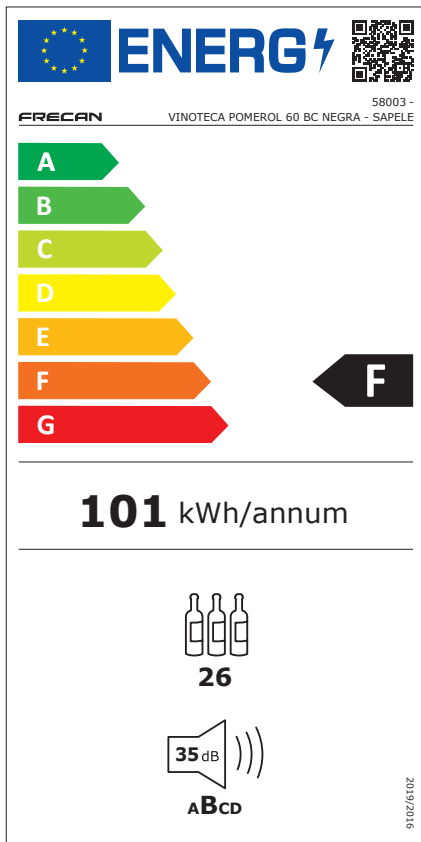
EN

Ref: 58003

Wine Cooler Built-In

## Technical Information

- Energy efficiency class: 
- Climate class: SN-ST
- Cable length: 1,8
- Electrical connection (Voltage/Frequency): 220-240> V. / 50 Hz.
- Average annual consumption: 101 W.
- Sound pressure: 24 dB(A)
- Sound power: 35 dB(A)
- Box dimensions: 0,66 x 0,69 x 0,66 mm.
- Volume: 0,300564 m<sup>3</sup>.
- Packaged product weight: 46
- EAN code: 8421210279956



The image shows a standard European energy label for a Frecan wine cooler. At the top left is the European Union flag and the word "ENERGY" with a lightning bolt icon. To the right is a QR code. Below this, the Frecan logo and model information "58003 - VINOTECA POMEROL 60 BC NEGRA - SAPELE" are displayed. The main part of the label features a vertical scale of energy efficiency classes from A (green) to G (red), with class F highlighted in a black arrow pointing left. Below the scale, the energy consumption is listed as "101 kWh/annum". Further down, there are icons for capacity (three bottles) labeled "26" and sound power (a speaker icon) labeled "35 dB" with "ABCD" below it. A small vertical date "2019/2016" is on the right side.

**ENERGY**

58003 -  
VINOTECA POMEROL 60 BC NEGRA - SAPELE

**A**  
**B**  
**C**  
**D**  
**E**  
**F**  
**G**

**101** kWh/annum

**26**

**35** dB  
**ABCD**

2019/2016