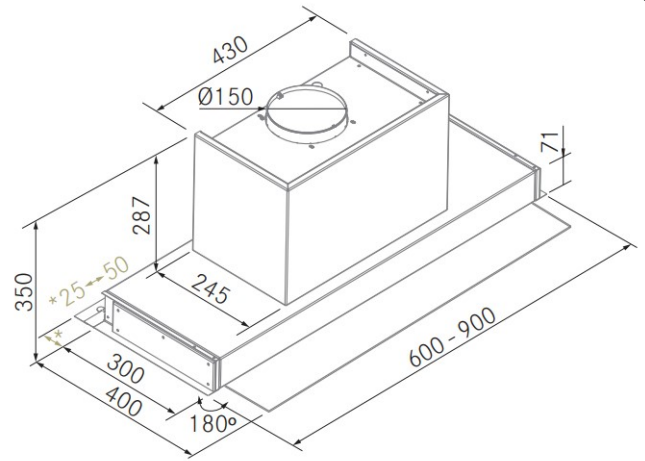


# FRECAN

## NOTE DRIP OFF

60/80/90

1



(A)x13

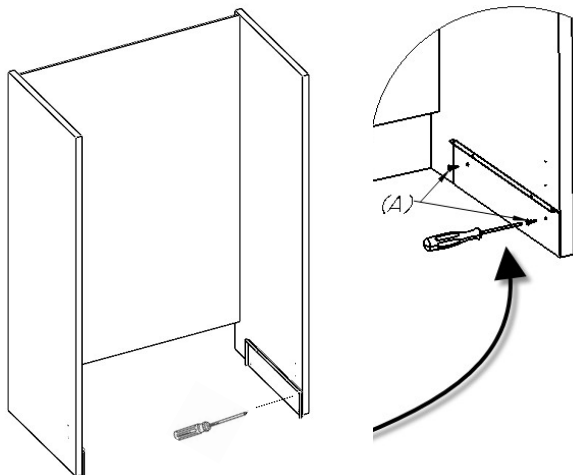


(B)x6

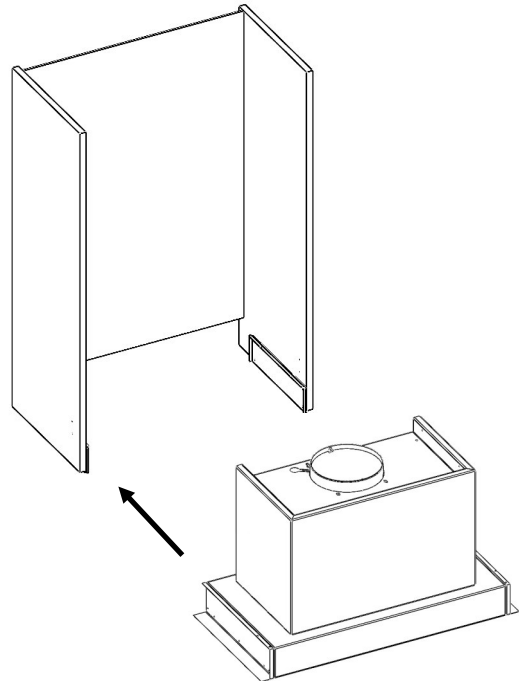


(C)x4

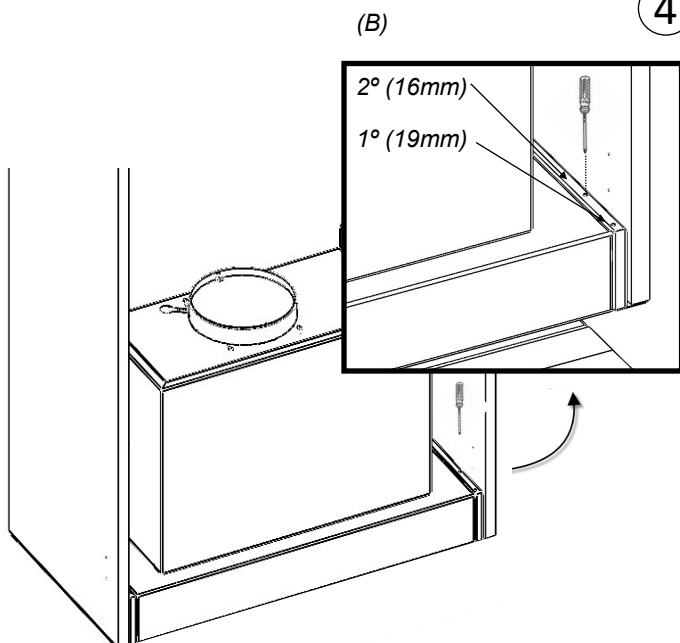
2



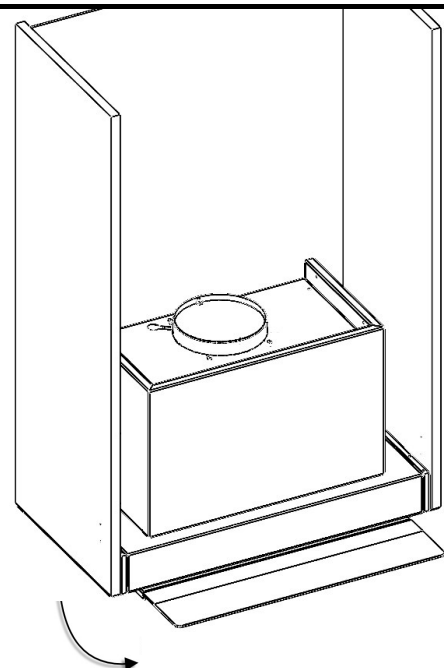
3



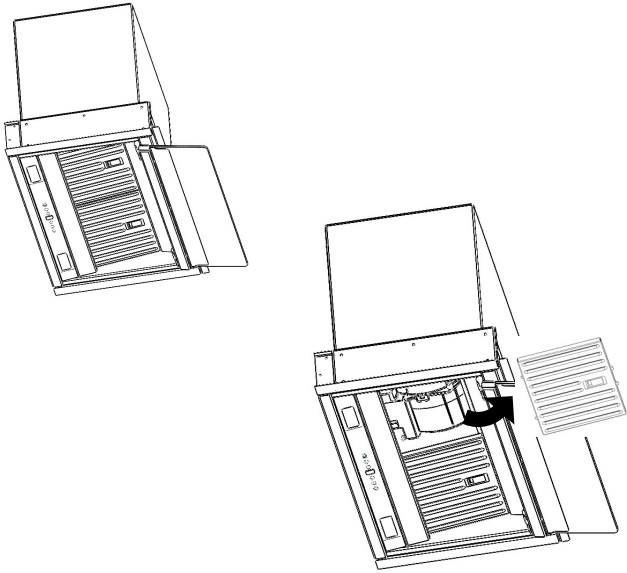
4



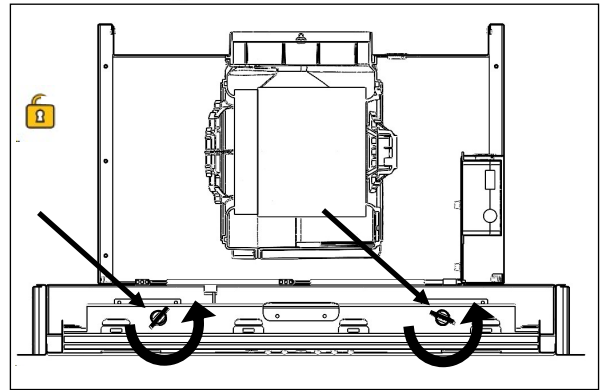
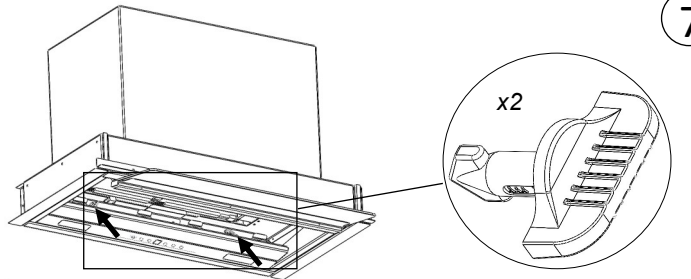
5



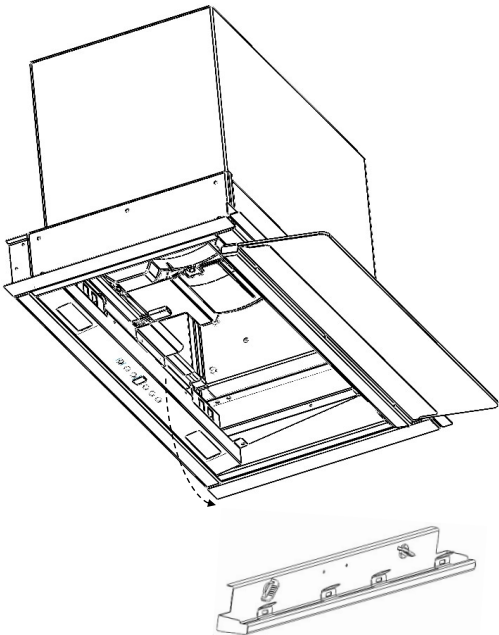
6



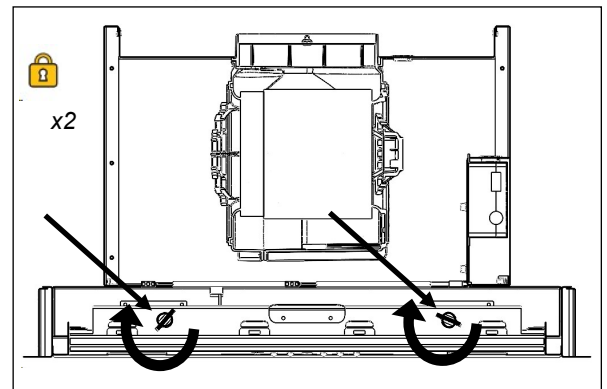
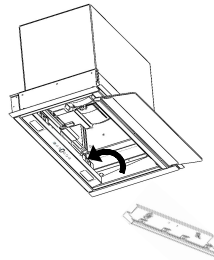
7



8



9



# H-Connect

