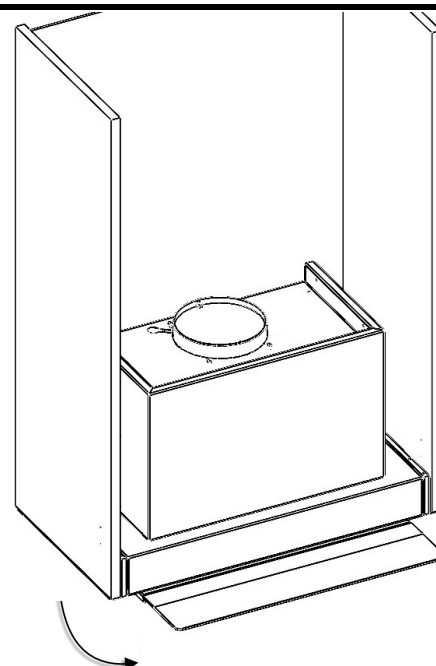
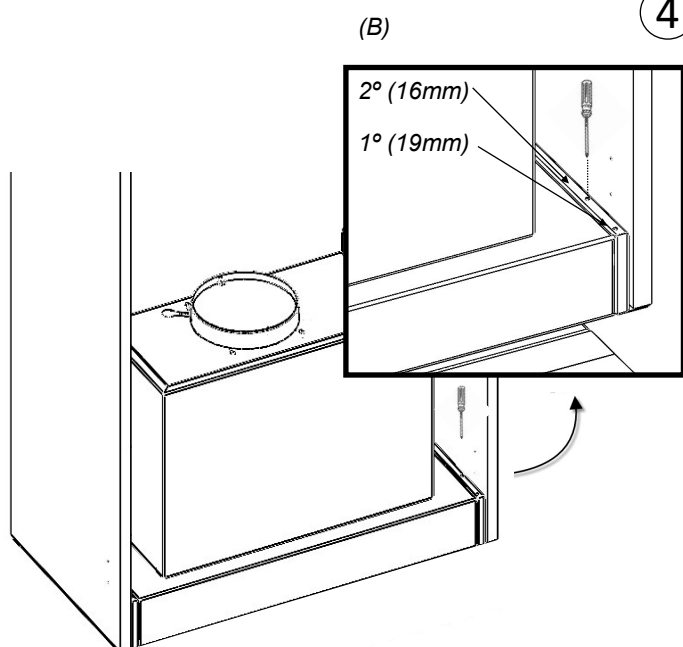
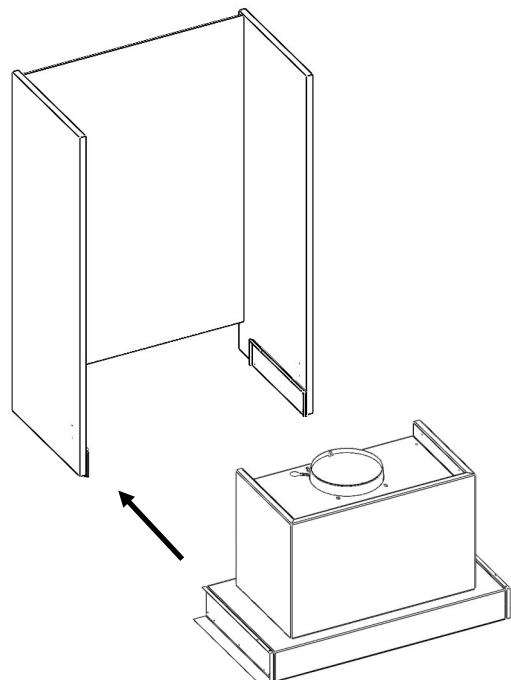
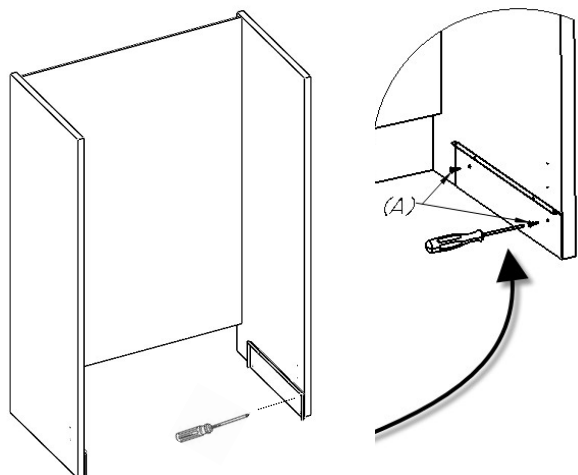
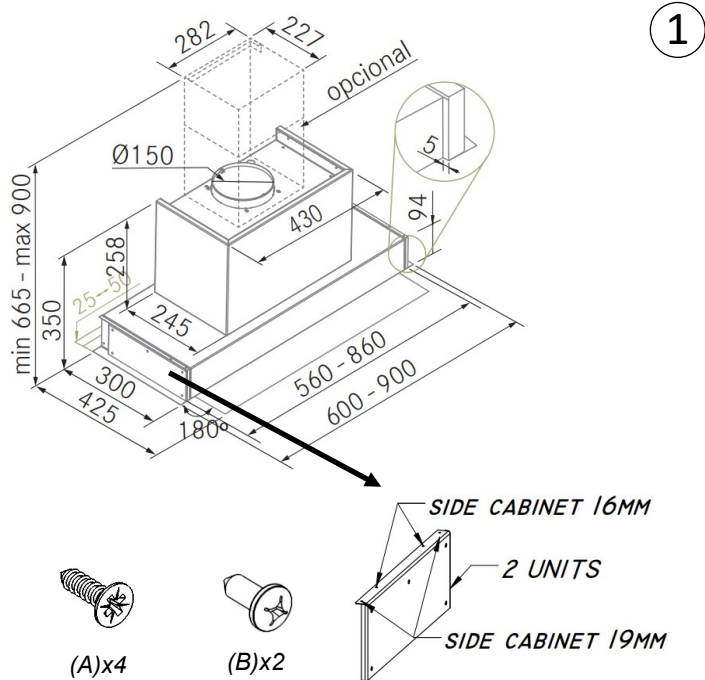
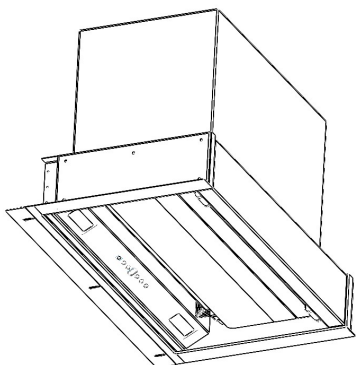
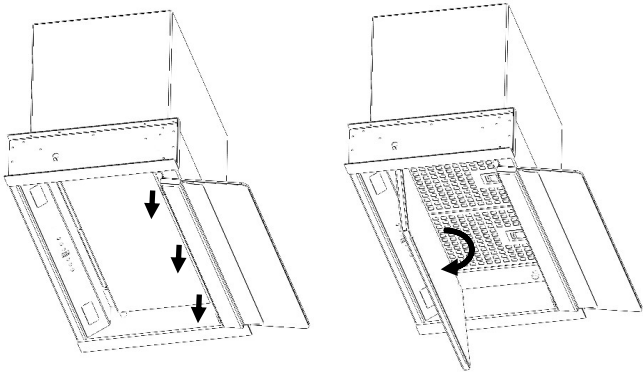


# FRECAN

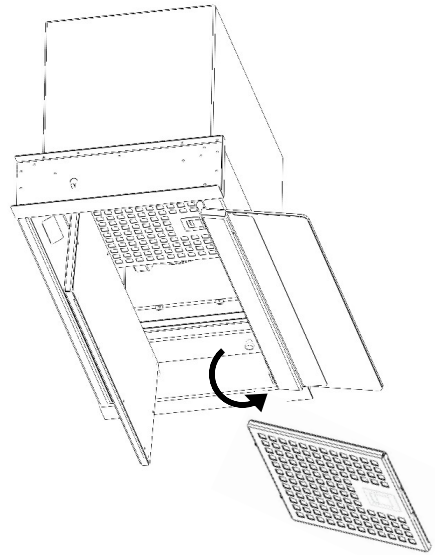
## TERSA 60 / 90



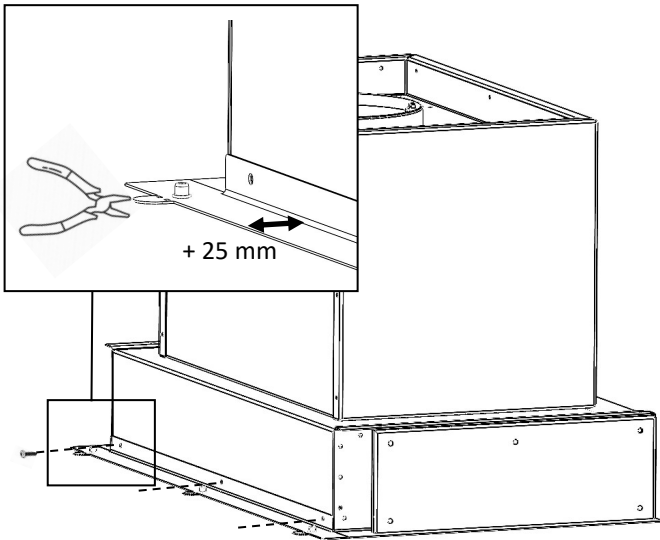
6



7



8



9

