

Urban

N-311

1



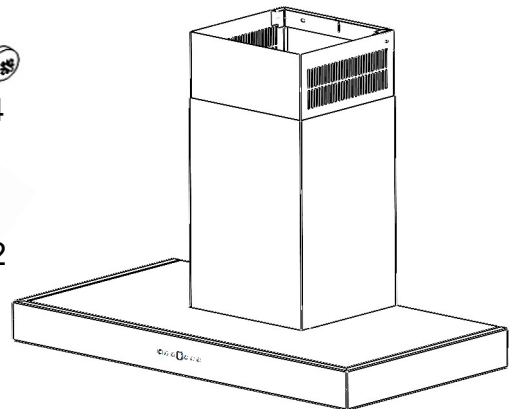
(A) x4



(B) x4

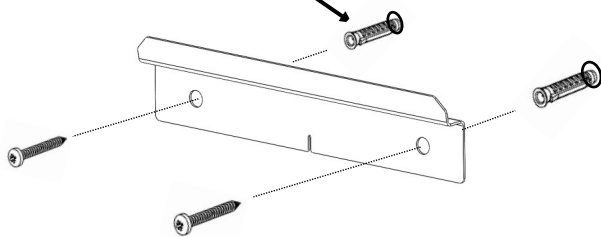


(C) x2



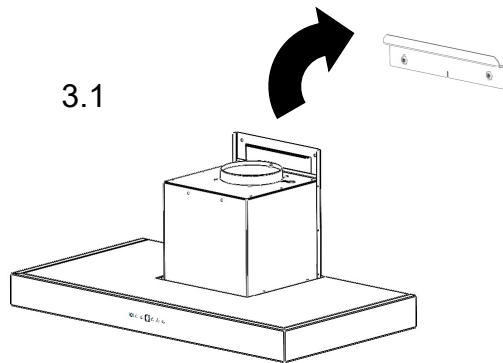
2

(A)

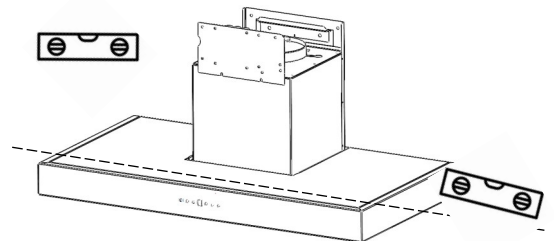


3

3.1



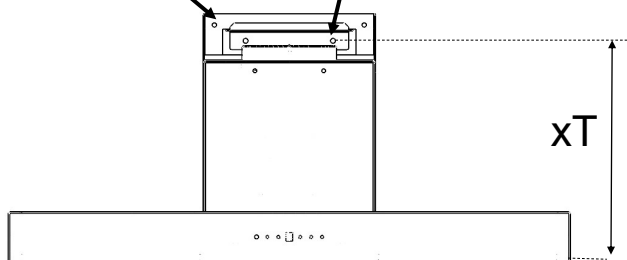
3.2



4

(B) Safety holes

(B)



xT

	xT
N311	352 mm

5

(A) X2

