

FRECAN

NITRO 90

NITRO 120

SCL 2xR700

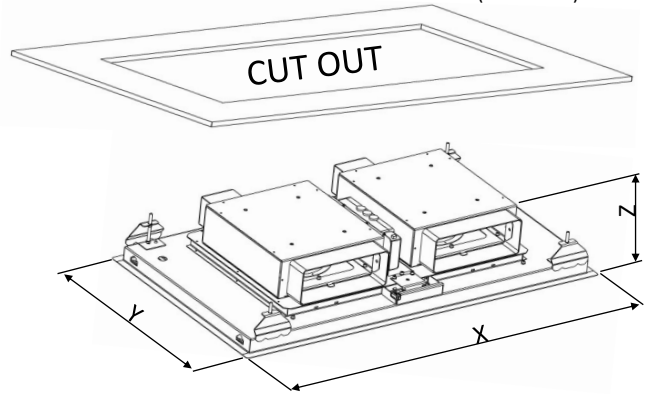
NO INSTALE DIRECTO SOBRE PLACAS DE PLADUR

DON'T INSTALL DIRECTLY INTO DRYWALL PLADUR

FALSO TECHO REFORZADO PARA SOPORTAR MIN (Ver tabla)

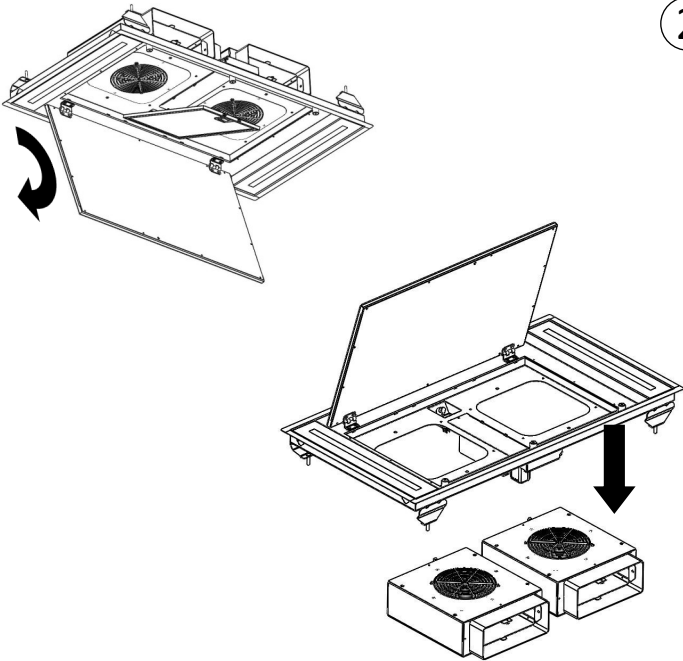
FALSE CEILING REINFORCED TO SUPPORT MIN (See table)

1

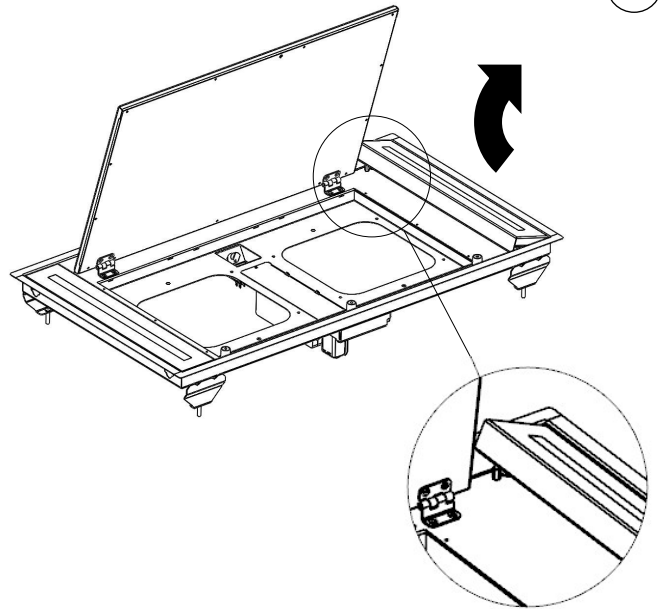


	X (mm)	Y (mm)	Z (mm)	CUT OUT (mm)
NITRO 90	900	500	160	870 x 470
NITRO 120	1200	700	160	1170 x 670
SCL 2xR700	900	500	160	870 x 470

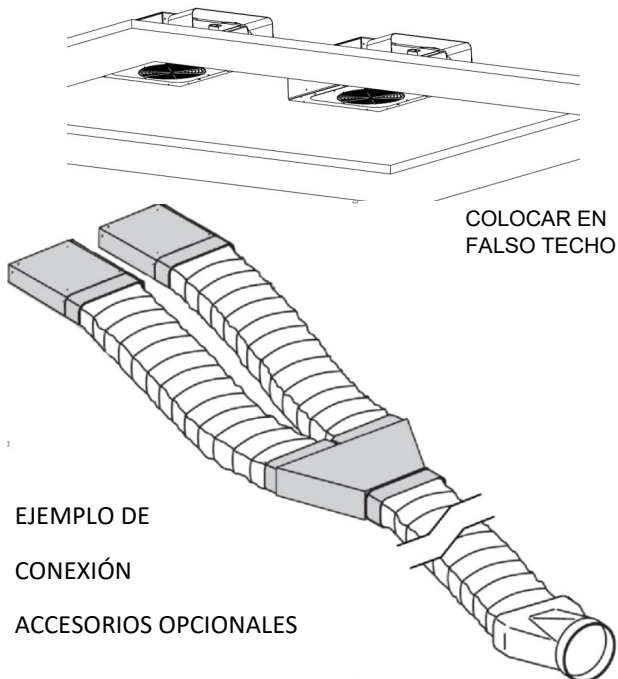
2



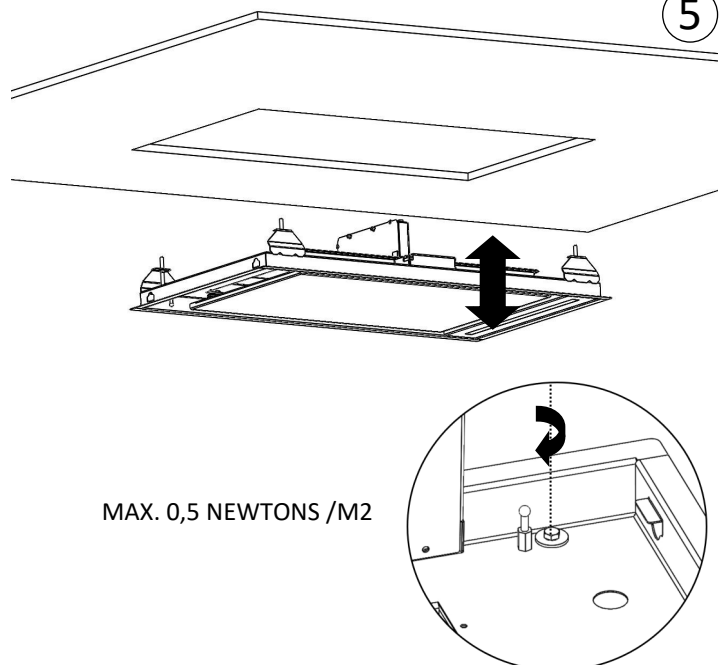
3



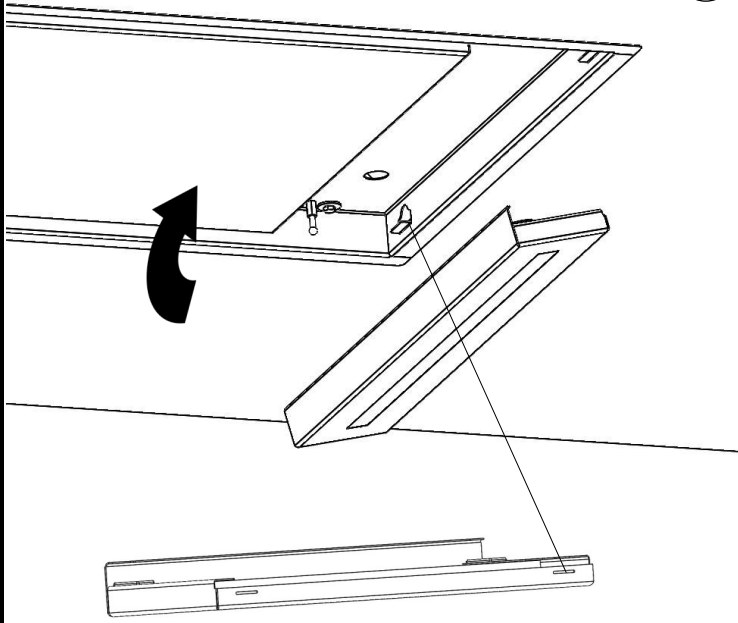
4



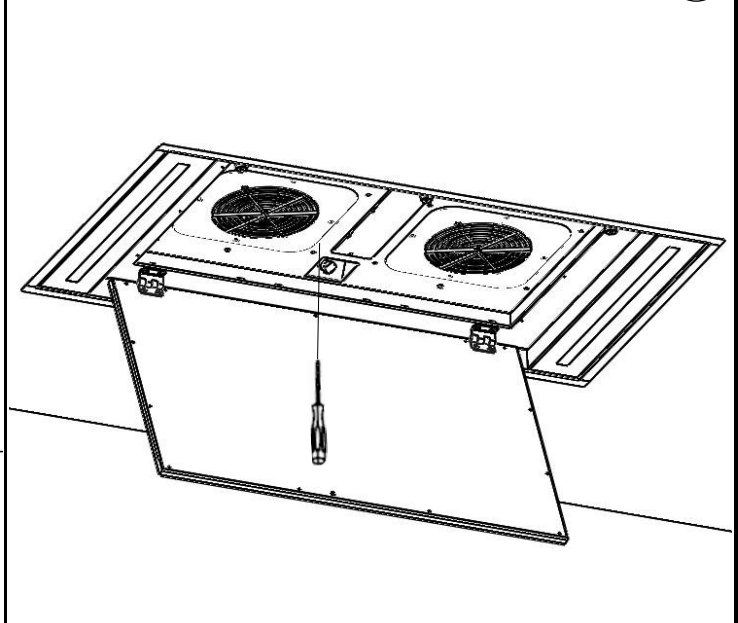
5



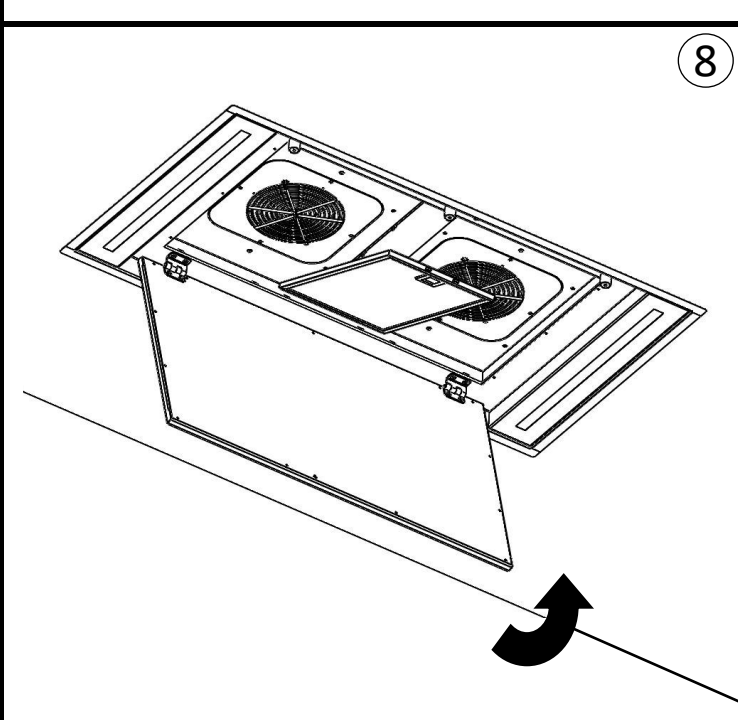
6



7



8



9

